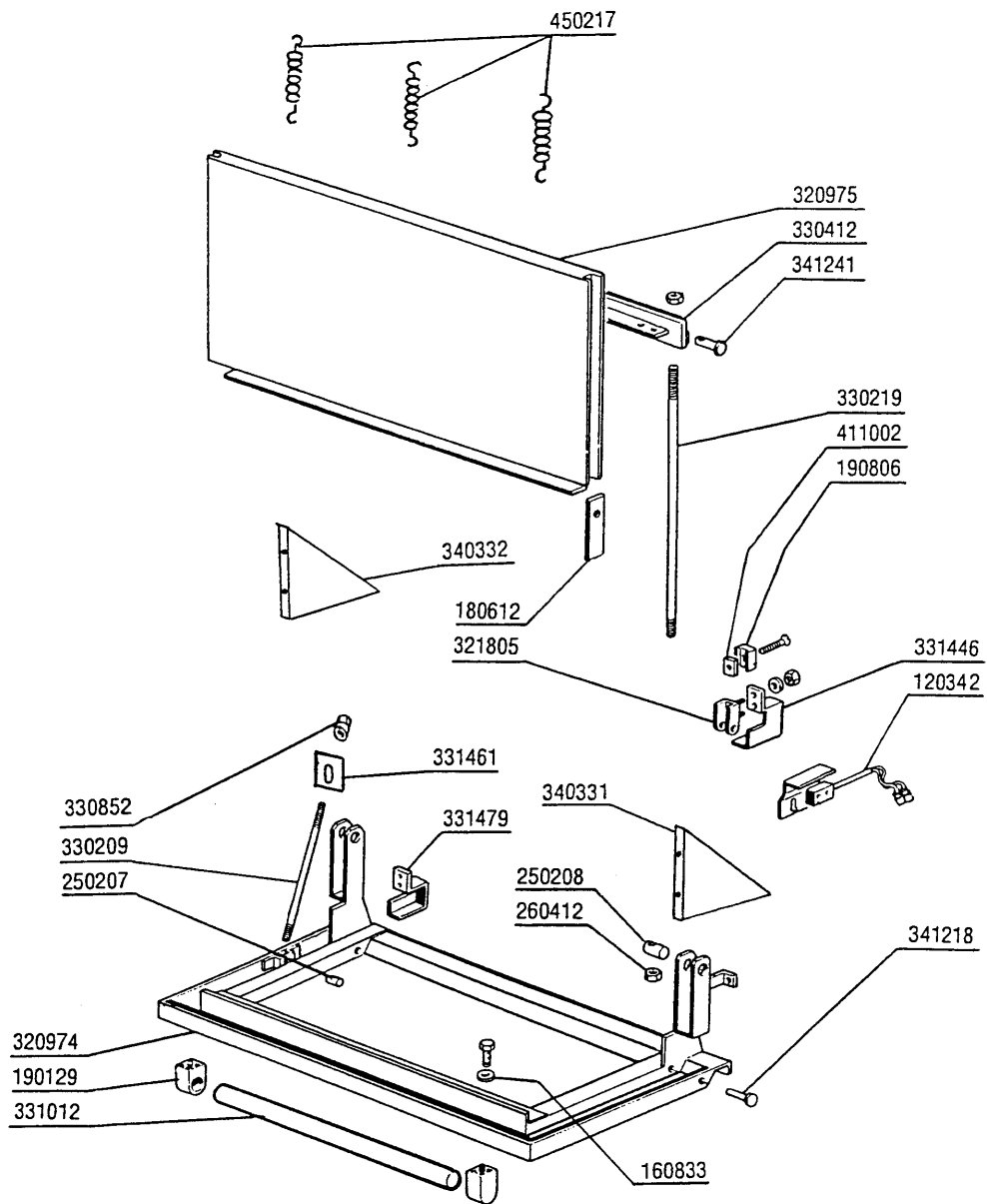
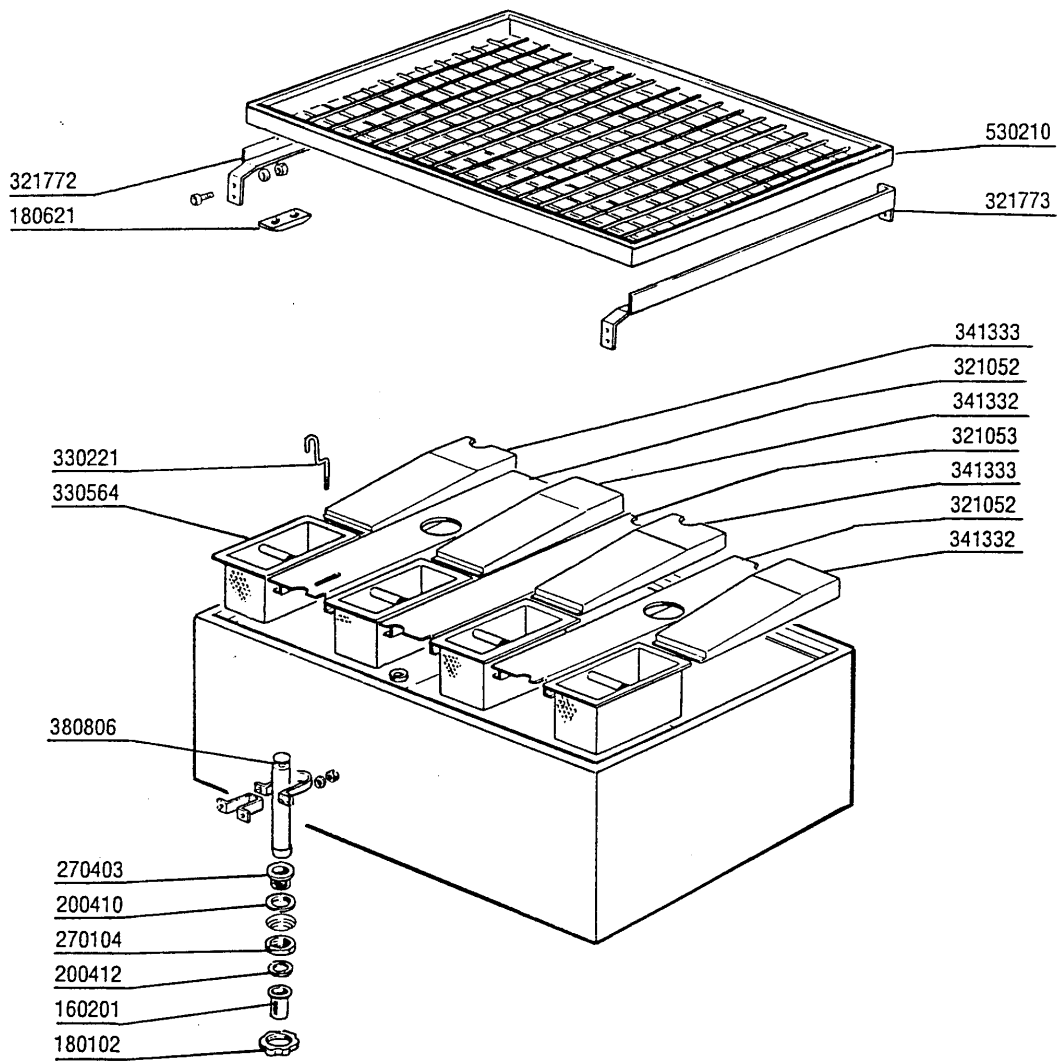


2 - Hood

CODE	DESCRIPTION
200402	SELF-ADHES.RUBB.SPONGE STRIPS
260224	TB-SCREW 6X15 B23-10-11-12
321050	SUPPORT GUARD G115
350298	LEFT PANEL G65
350299	RIGHT PANEL G65
351135	FRONT PANEL G115
351136	FRONT PANEL LEFT G65-115
450905	CAPIL.THERMOMETER D.52 1,5M
620222	COMPLETE ALUMINIUM LEGS

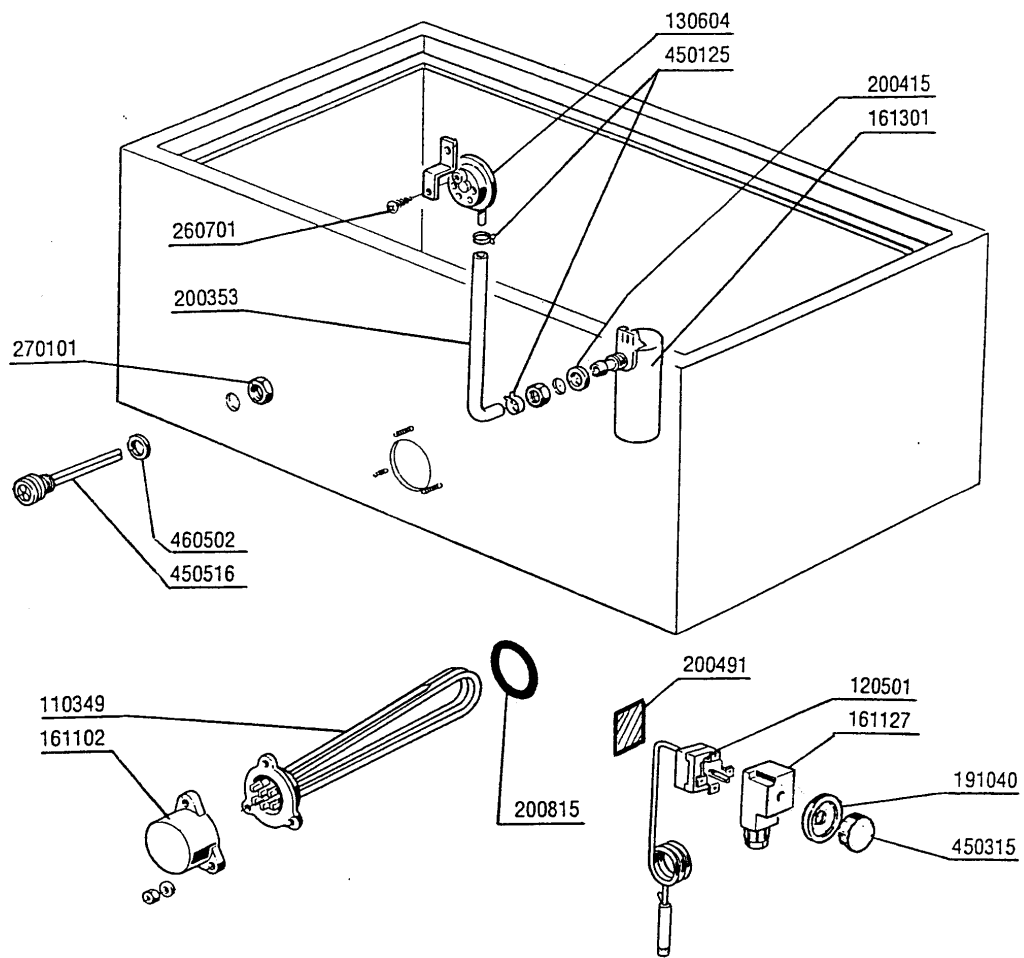


CODE	DESCRIPTION
120342	DOR MAGNETIC SWITCH
160833	GASKET 17X8,4 TH 0,75 TEFL
180612	DOOR GUIDE G65-G115
190129	HANDLE SUPPORT SE NE GREY
190806	MAGNET HOUSING
250207	SPEC.NUTS F.DOOR ROD AISI 303
250208	SPEC. NUTS FOR DOOR ROD G65 G1
260412	SELF-LOCKING NUT M6
320974	LOWER DOOR G115
320975	UPPER DOOR G115
321805	DOOR HINGE G65 G115
330209	TIE ROD 5MX305 F-45-55-65
330219	DOOR ROD G65 G115
330412	SPLASH GUARD G115
330852	TIE ROD RETAINER G65-115
331012	HANDLE 412 MM DOOR SE NE G115
331446	RIGHT SPLASH GUARD G65-115
331461	TIE ROD PLATE FOR G65-115
331479	LEFT SPLASH GUARD G65-115
340331	RIGHT COVER FOR TIE ROD
340332	LEFT COVER FOR TIE ROD
341218	HINGE PIN B-F-G
341241	DOOR PIN G65 G115
411002	PERMANENT MAGNET 24X12
450217	SPRING F.DOOR G65/115



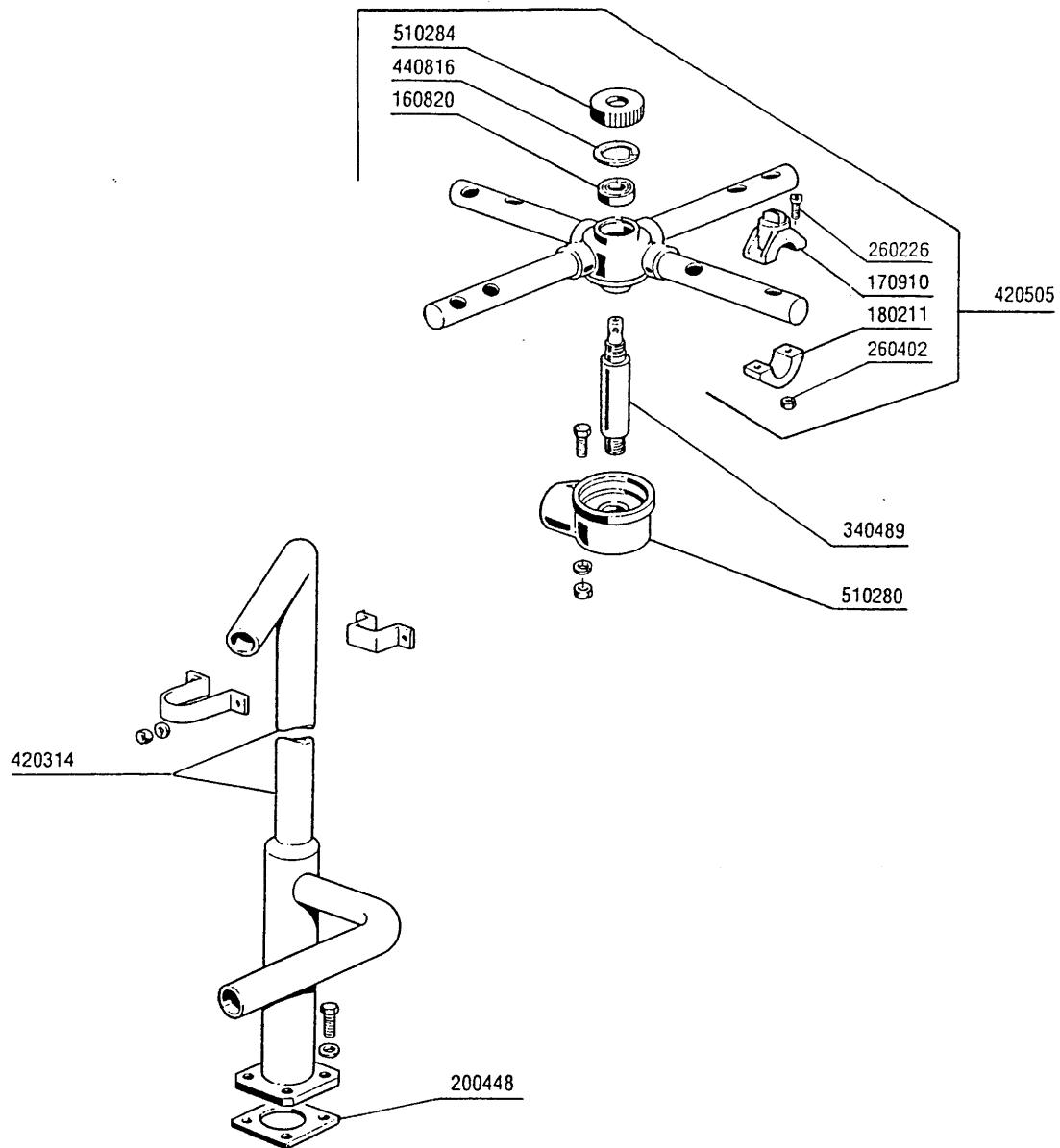
4 - Filters

CODE	DESCRIPTION
160201	ELBOW F.TANK INLET MOPLN
180102	DRAIN PIPE NUT 1"1/2 F45-55
180621	SLIDING BLOCK FOR G65-115 RACK
200410	DRAIN OUTL.WASH.1 1/2"65X47X2
200412	GASKET DRAIN 1 1/2" 45X33X3
270104	LOCK NUT 1" 1/2
270403	OUTLET 1 1/2" BRASS
321052	SIDE SUPPORT FOR FILTER G115
321053	CENTRAL SUPPORT FOR FILTERS G1
321772	LEFT GUIDE G65-115
321773	RIGHT GUIDE G65-115
330221	ROD G65 G115
330564	FILTER DRAWER G65-115
341332	RIGHT FILTER SUPPORT G65-115
341333	LEFT FILTER SUPPORT F.G65-115
380806	OVERFLOW PIPE G131 G65-115
530210	RACK G115



5 - Tank

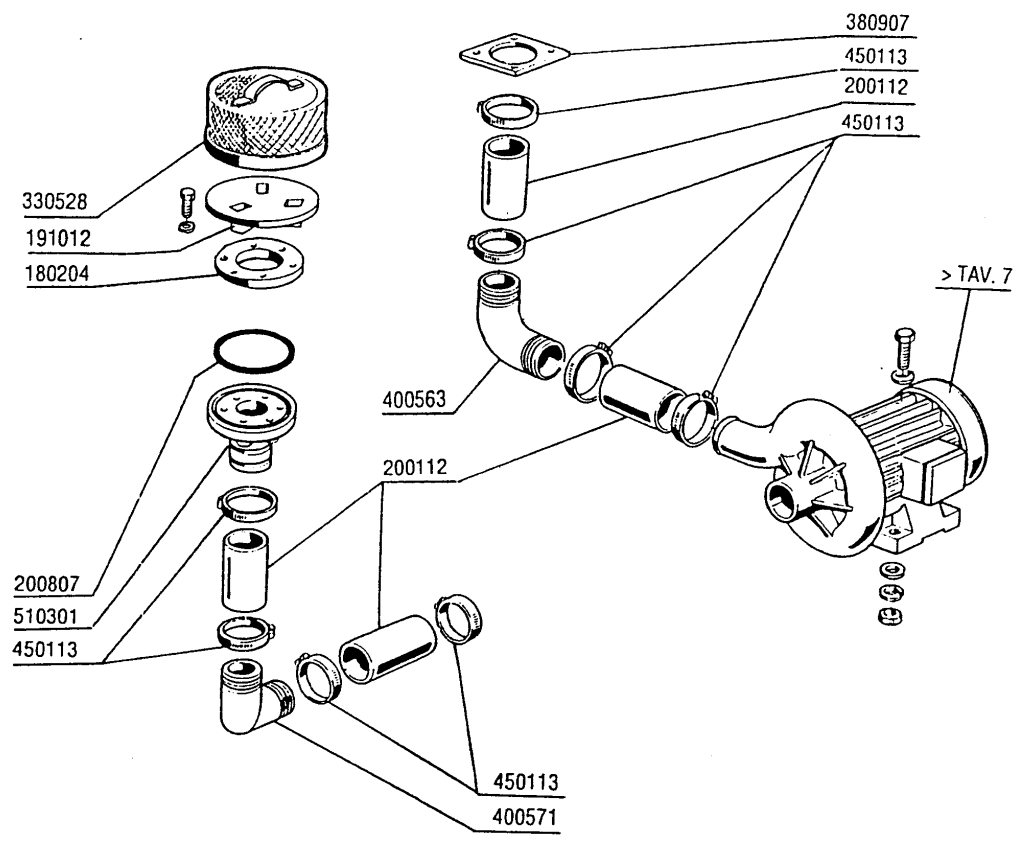
CODE	DESCRIPTION
110349	HEAT.ELEMENT 6000W 230/400V
120501	THERMOSTAT 30/90°C
130604	PRESSURE SWITCH 80-50 1 LEVEL
161102	ELEMENT COVER MOPL.
161127	BOX FOR THERMOSTAT
161301	AIR TRAP F2 C34-F45
191040	FRAME F.THERMOSTAT KNOB
200353	PRESS.SWITCH HOSE B23-10-1-2-C
200415	AIR TRAP GASKET -F2 18,5X10X3
200491	BACK GASKET OF THERMOSTAT BOX
200815	O-RING F. HEAT.ELEM.
260701	SCREW 3,5X9,5
270101	HEXAGON LOCK NUT 1/2"
450125	ELASTIC CLAMP D. 10,4X9,8
450315	KNOB F. THERMOSTAT 90°
450516	THERMOSTAT SHIELD FOR 2 TERMOS
460502	GASKET 30X21X2



6 - Wash

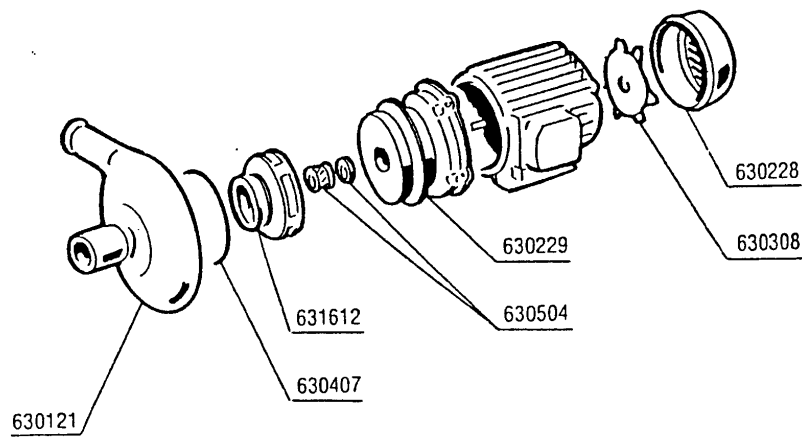
CODE	DESCRIPTION
160820	WASHER 47,5X25X11 G66-131
170910	AXIAL WASH JET
180211	COUNTERFLANGE - WASH JET S-N
200448	GASKET 100X100X3 HOLE D.76
260226	STAINL.ST TCP SCREW 4X12 A2 UN
260402	STAINLESS STEEL NUT D4 UNI 55
340489	SPINDLE OF ARM ASSY G66-65-115
420314	WASH COLUMN G65/115
420505	WASH ARM G66-65-115
440816	STAINL.ST.SEAL. RING D.48 UNI3
510280	ARM SUPPORT G-SERIES
510284	ARM LOCK NUT G65-75-115

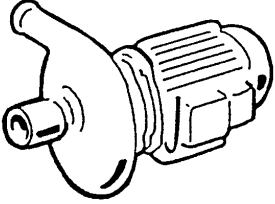
7 - Wash pump



7 - Wash pump

CODE	DESCRIPTION
180204	COUNTERFLANGE D.130 SUCTION N
191012	VOTEX BREAKER S3ØN.L. G65
200112	RUBBER TUBE 75X83
200807	O-RING 3,53 X 110,72
330528	STRAINER D.195 SNL C140
380907	COUNTERFLANGE G65-115
400563	DELIVERY ELBOW G65/115 ‡ STAIN
400571	INLET ELBOW G65/115 STAINL.ST
450113	STAINL.STEEL CLAMPS D.83
510301	INLET CONNECTION G66/115-G65

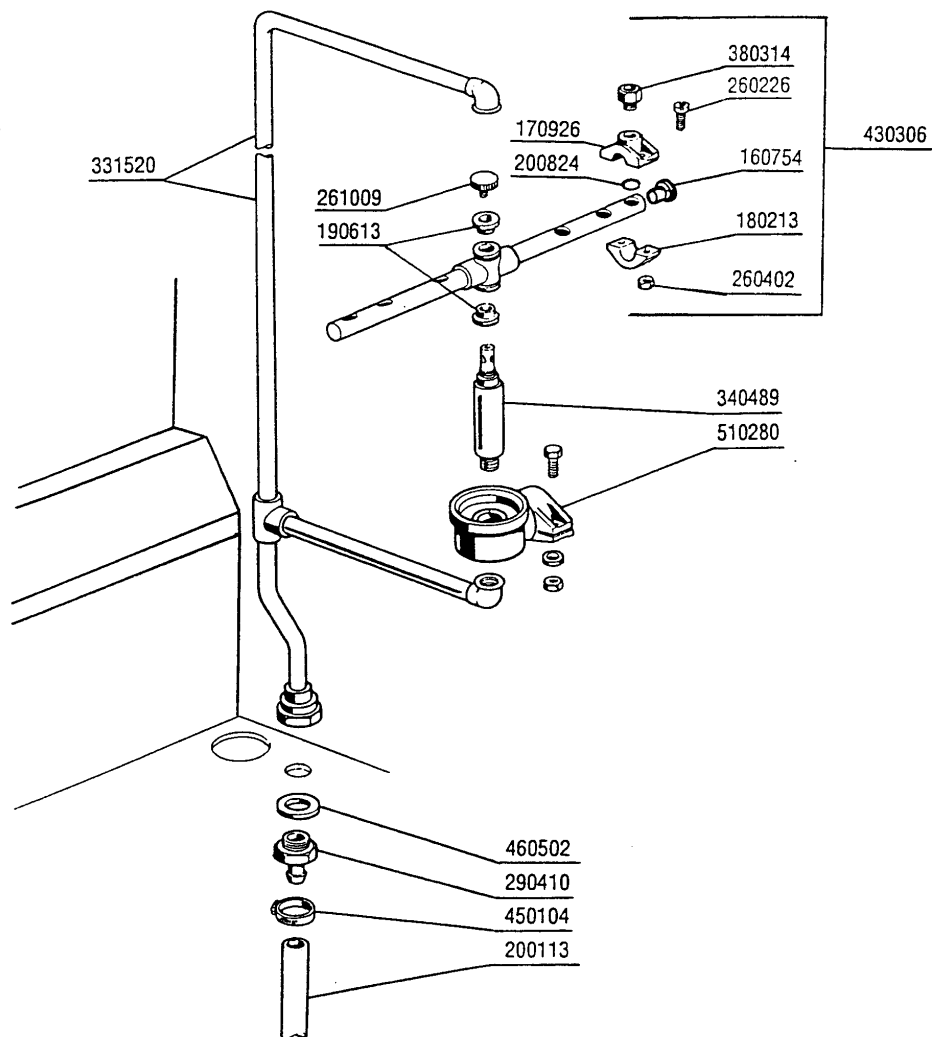


100382	220/380 50 Hz	
100651	220/380 60 Hz	
100616	240/415 50 Hz	
100706	255/440 60 Hz	

8 - Wash pump

CODE	DESCRIPTION
100382	PUMP HP 4 220/3-50 DX LS 5
100616	PUMP HP 4 240/415 V50HZ
100651	PUMP 4 HP 220/3 60HZ RIGHT
100706	PUMP HP4 255/440 60HZ LS/5
630121	VOLUTE HP4-LS/5-16F
630228	COVER F.FAN IMPELLOR LS5
630229	ANT. PUMP FLANGE LS/5
630308	PUMP FAN IMPELLOR LS3-LS5
630407	PUMP "O" RING LS/3-LS/5
630504	PUMP SEALS 4 HP WASH PUMP LS/5
631612	IMPELLERS HP 4- LS/5

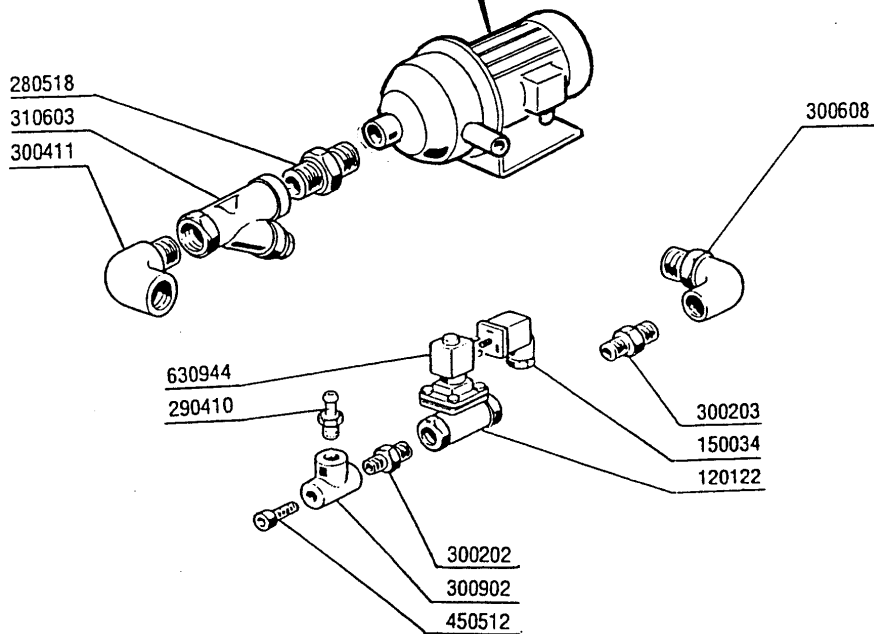
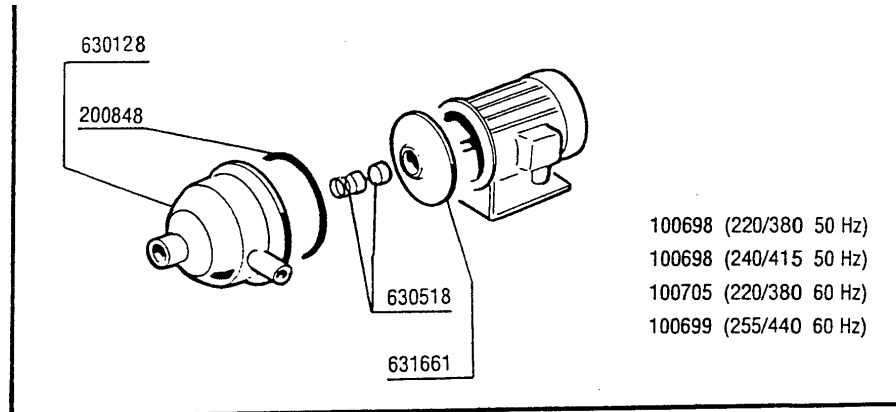
9 - Rinse assembly



9 - Rinse assembly

CODE	DESCRIPTION
160754	PLUG FOR RINSE ARMS SE NE
170926	RINSE JET HOLDER S-SE-NE
180213	FLANGE F.JET LOCKING F2-C34
190613	RINSE BUSH G66/115
200113	RUBBER HOSE 12 X 22
200824	O-RING 1,78X12,42X15,98
260226	STAINL.ST TCP SCREW 4X12 A2 UN
260402	STAINLESS STEEL NUT D4 UNI 55
261009	RETAIN.SCREW FOR WASH-RINSE AR
290410	NIPPLE 1/2"
331520	RINSE COLUMN G65-115
340489	SPINDLE OF ARM ASSY G66-65-115
380314	RINSE JETS 801/HR
430306	RINSE ARM (430319)
450104	CLAMP FE ZN H=12,5 15-24
460502	GASKET 30X21X2
510280	ARM SUPPORT G-SERIES

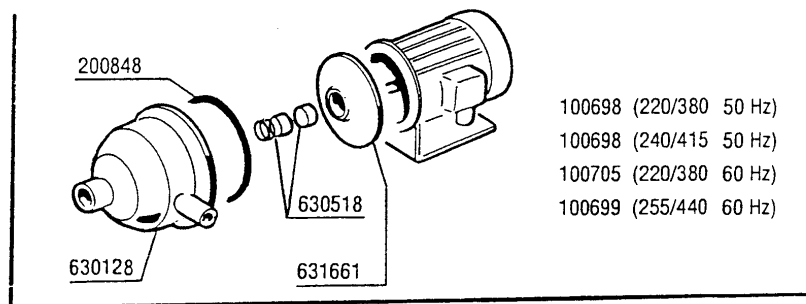
10 - Rinse pump



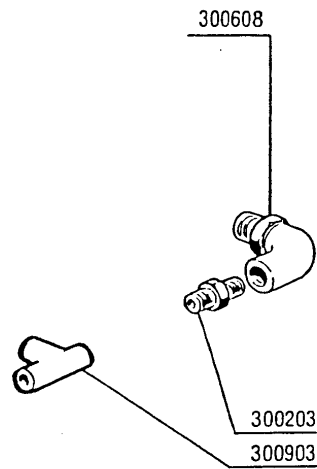
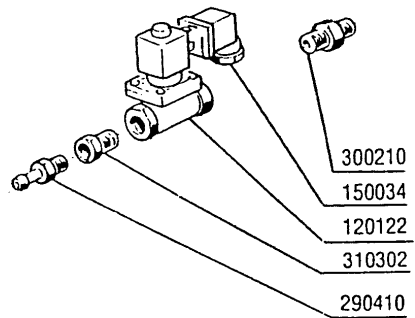
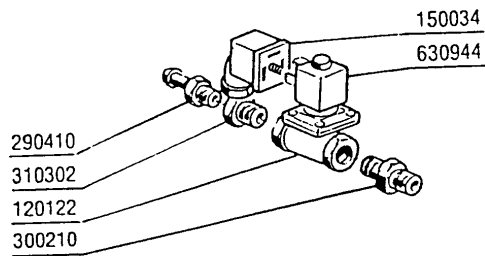
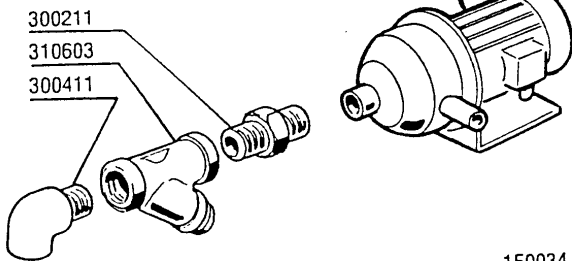
10 - Rinse pump

CODE	DESCRIPTION
100698	PUMP HP 0,75-CEA120 (100789)
100699	PUMP 1HP 255/440 60HZ CE1206/1
100705	PUMP HP0,75 220-380 60H(100792)
120122	SOLENOID VALVE 3/4 24V L180Q17
150034	CONNEC.F.SOLEN.VALVE 122.09.N
200848	O-RING FOR PUMP 0,75 HP CEA 12
280518	NIPPLES 1"1/4X1" TWIN REDUCED
290410	NIPPLE 1/2"
300202	NIPPLE 3/4"-1/2"
300203	NIPPLE 3/4"-1"
300411	ELL 1"
300608	UNION ELL 1"
300902	TEE 1/2"
310603	STRAINERS JU 1" MOD.45
450512	THERMOMETER SHEATH LENGTH 35
630128	PUMP VOLUTE 0,75HP CEA120/2
630518	PUMP SEAL HP0,75 CE120
630944	COIL E/V.Z110A V24/50HZ
631661	IMPELLER PUMP 0,75HP LOW.CE120

11 - Rinse pump with boiler

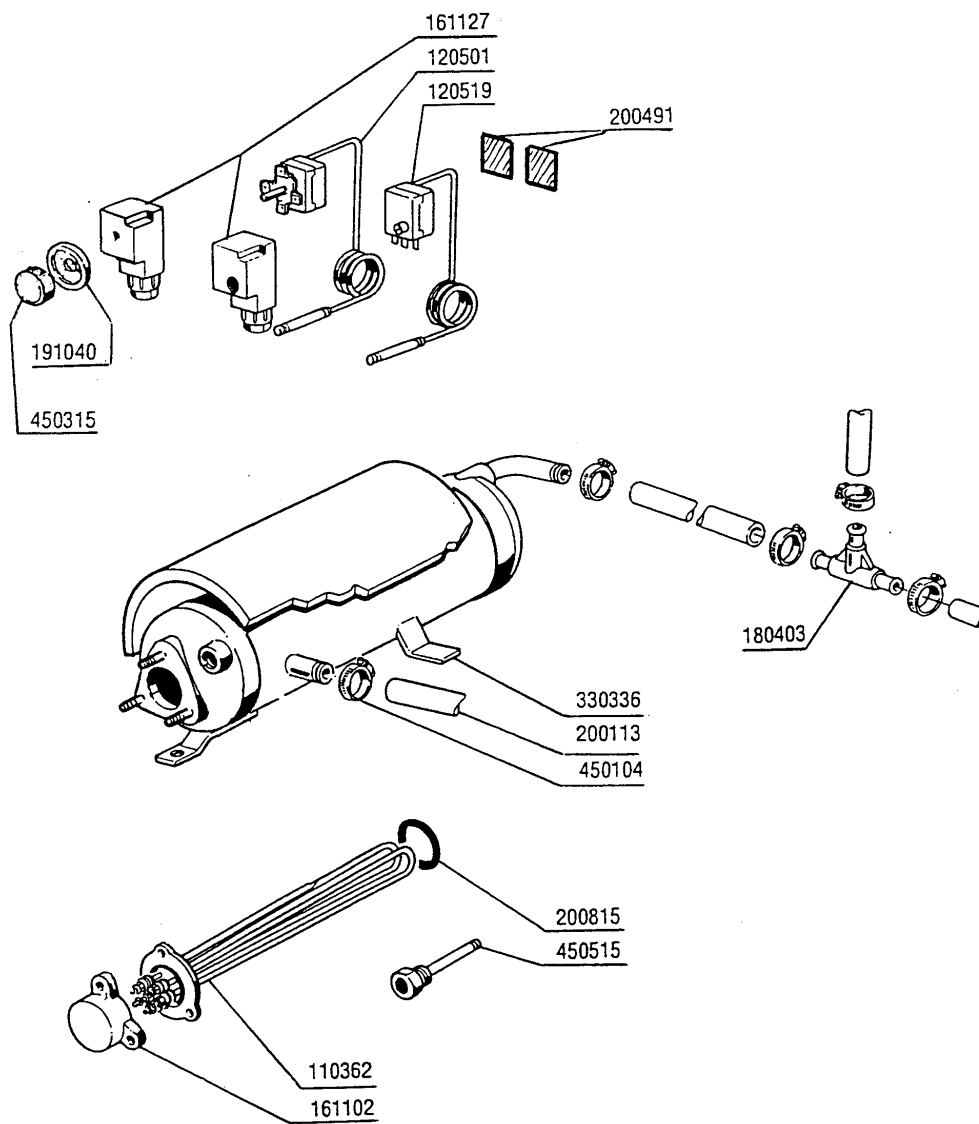


- 100698 (220/380 50 Hz)
- 100698 (240/415 50 Hz)
- 100705 (220/380 60 Hz)
- 100699 (255/440 60 Hz)



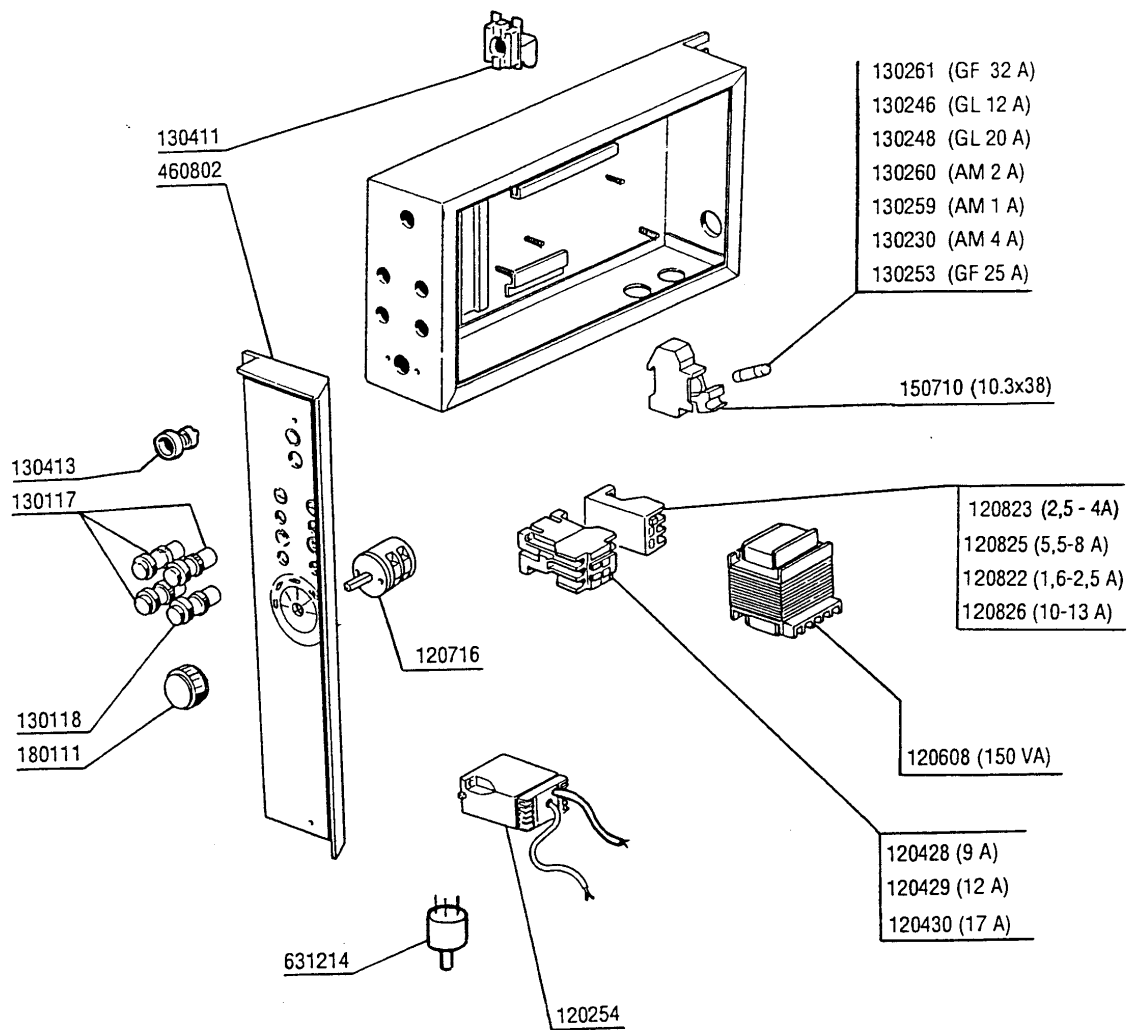
11 - Rinse pump with boiler

CODE	DESCRIPTION
100698	PUMP HP 0,75-CEA120 (100789)
100699	PUMP 1HP 255/440 60HZ CE1206/1
100705	PUMP HP0,75 220-380 60H(100792)
120122	SOLENOID VALVE 3/4 24V L180Q17
150034	CONNEC.F.SOLEN.VALVE 122.09.N
200848	O-RING FOR PUMP 0,75 HP CEA 12
290410	NIPPLE 1/2"
300203	NIPPLE 3/4"-1"
300210	NIPPLE 3/4"
300211	NIPPLE 1"
300411	ELL 1"
300608	UNION ELL 1"
300903	TEE 3/4"
310302	NIPPLE 3/4"-1/2"
310603	STRAINERS JU 1" MOD.45
630128	PUMP VOLUTE 0,75HP CEA120/2
630518	PUMP SEAL HP0,75 CE120
630944	COIL E/V.Z110A V24/50HZ
631661	IMPELLER PUMP 0,75HP LOW.CE120



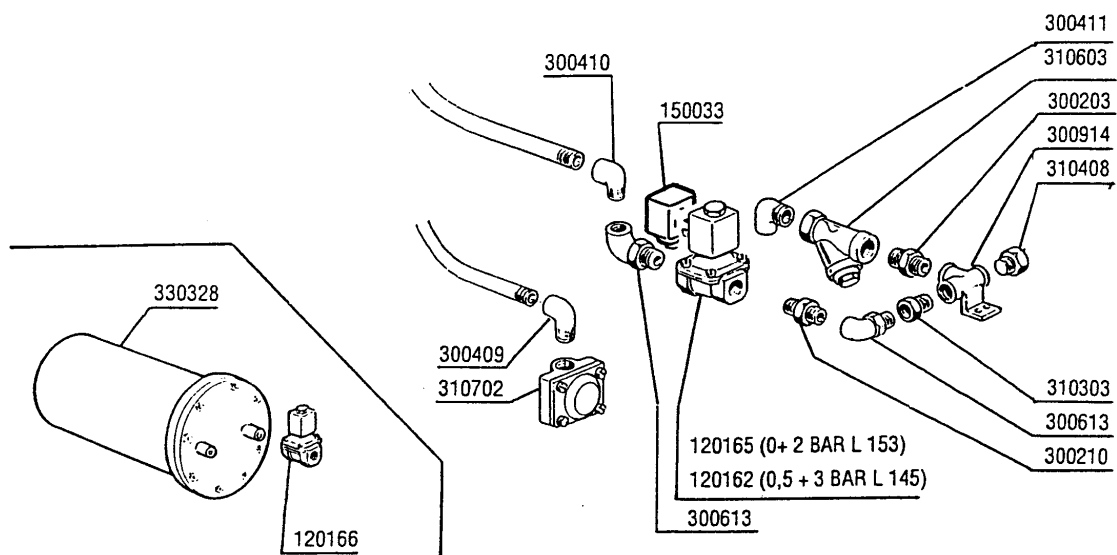
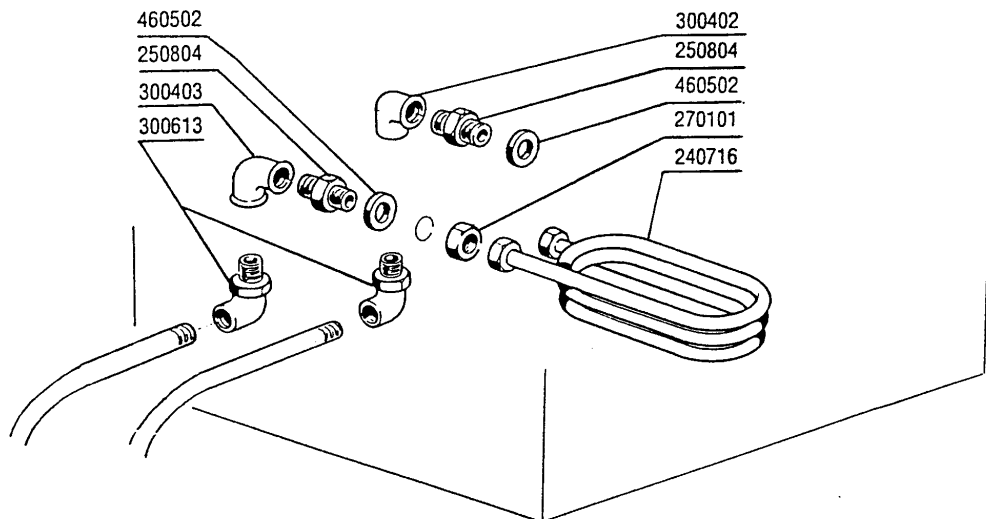
12 - Electric version

CODE	DESCRIPTION
110362	HEAT.ELEMENT 9000W 220/380V
120501	THERMOSTAT 30/90°C
120519	SECURITY THERMOSTAT 95-125°C
161102	ELEMENT COVER MOPL.
161127	BOX FOR THERMOSTAT
180403	TEE-NIPPLE F2-F300-B10-11
191040	FRAME F.THERMOSTAT KNOB
200113	RUBBER HOSE 12 X 22
200491	BACK GASKET OF THERMOSTAT BOX
200815	O-RING F. HEAT.ELEM.
330336	BOILER G115-G75
450104	CLAMP FE ZN H=12,5 15-24
450315	KNOB F. THERMOSTAT 90°C
450515	STAINL.ST.SHIELD FOR 1 THERMOS



13 - Control box

CODE	DESCRIPTION
120254	ELECTRONIC TIMER 2 RELAY CL51
120428	CONTACTOR 9A 24V 50HZ
120429	CONTACTOR 12A 24V 50HZ
120430	CONTACTOR 17A 24V 50HZ
120608	TRANSFORMER 150VA220-240-380-4
120716	6 POLES SWITCH 16A
120822	OVERLOAD RELAY 1,6-2,5A
120823	OVERLOAD RELAY 2.5/4 A
120825	OVERLOAD RELAY 5,5/8 A
120826	OVERLOAD RELAY 10/13A
130117	GREEN LIGHT 24V S90-G66
130118	RED LIGHT 24V S90 - G66
130230	FUSE 10,3X38 4A AM13004
130246	FUSE 10.3X38 12A GF13312
130248	FUSE 20A-10,3X38 13320 G.F.
130253	FUSE 25A GF 13325
130259	FUSE 10,3X38 1A AM 13095
130260	FUSE 10,3X38 2A AM 13001
130261	FUSE 32A 10,3X38
130411	START CONTACT YELLOW
130413	GREEN PUSH BUTTON
150710	FUSE CARRIER 10,3X38 ART.21401
180111	BLACK KNOB
460802	CONTROL PANEL G65/115
631214	ANTI-NOISE FILTER 4011135007 3



14 - Steam Version

CODE	DESCRIPTION
120162	SOLENOID VALVE L145R1Z734A 3/4
120165	SOLEN.VALVE ST.24V50HZ 3/4"
120166	STEAM SOLEN.VALVE 1" 24V-50
150033	CONNEC.F.SOLEN.VALVE 182.09.N
240716	STEAM COIL G66-S3
250804	NIPPLES FOR STEAM COIL
270101	HEXAGON LOCK NUT 1/2"
300203	NIPPLE 3/4"-1"
300210	NIPPLE 3/4"
300402	ELL FF 1/2"
300403	ELL FF 3/4"
300409	ELL MF 1/2"
300410	ELL 3/4" MF
300411	ELL 1"
300613	UNION ELL MF 3/4"
300914	TEE 1"
310303	NIPPLE 1"-3/4" MF
310408	PLUG 1"
310603	STRAINERS JU 1" MOD.45
310702	STEAM TRAP 1/2" MK 25/3
330328	STEAM BOILER G
460502	GASKET 30X21X2